

MS2630

Mariner Kit for use with HP EliteDesk 800 G6
SFF PC (Horizontal mount)



The HP EliteDesk 800 G6 Small Form Factor (SFF) PC is marine type approved by most of the major international marine Classification Societies when it is installed in conjunction with our Mariner Kit MS2630.

The MS2630 Mariner Kit is designed to fit onto any horizontal surface and affords protection against the effects of vibration and shock experienced in the offshore marine environment and has been tested against IACS Unified Requirement E10 and the relevant sections of IEC60945 (see below right for test details).

This type approved combination of hardware and Mariner Kit can be used as the platform for your critical navigation, control, loading and general purpose applications (please check individual type approval certificates for any restrictions).

**“Proven solutions for
a demanding environment”**



PRODUCT FEATURES

- ◆ The redesigned HP EliteDesk 800 G6 Small Form Factor delivers high performance and broad expandability in a compact business-class SFF PC
- ◆ Featuring powerful components, expansion, and strong security, this small PC handles big workloads
- ◆ Intel® Q470 chipset supporting Intel® 10th generation Core™ processors, featuring integrated Intel® UHD Graphics and Intel® vPro™ Technology (available with Core i3, Core i5 and Core i7 processors)
- ◆ Four bays and four half-height slots including two slots for dual graphics support, plus three additional M.2 slots and 11 USB ports
- ◆ Two rear USB 2.0 USB ports; two front (including one fast charging) and two rear USB 3.2 Gen 1 ports; two front and two rear USB 3.2 Gen 2 ports; one front USB Type-C 3.2 Gen 2 port
- ◆ 2 x DisplayPort™ 1.4; 1 x RJ45 Network connector; 1 x RS-232 Serial port (optional)
- ◆ ENERGY STAR® certified and EPEAT® 2019 registered where applicable
- ◆ CCC, CECP and SEPA certified
- ◆ Compliant with the Restrictions of Hazardous Substances (RoHS) directive – 2011/65/EC
- ◆ Designed to comply with the Waste Electrical and Electronic Equipment (WEEE) directive – 2002/96/EC
- ◆ PC chassis and all internal components and modules are manufactured with low halogen content
- ◆ Three-year limited warranty on parts and labour as standard

This Mariner Systems solution is tested against the consolidated 'worst-case' requirements of all the following major international marine Classification Societies:

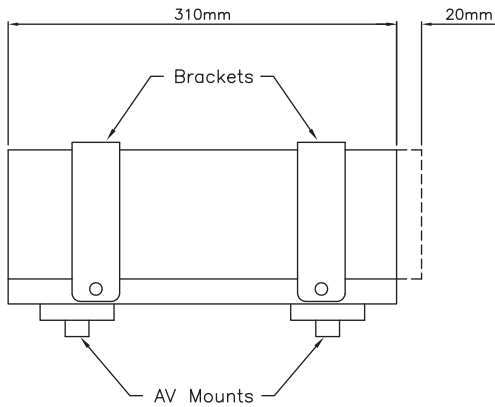
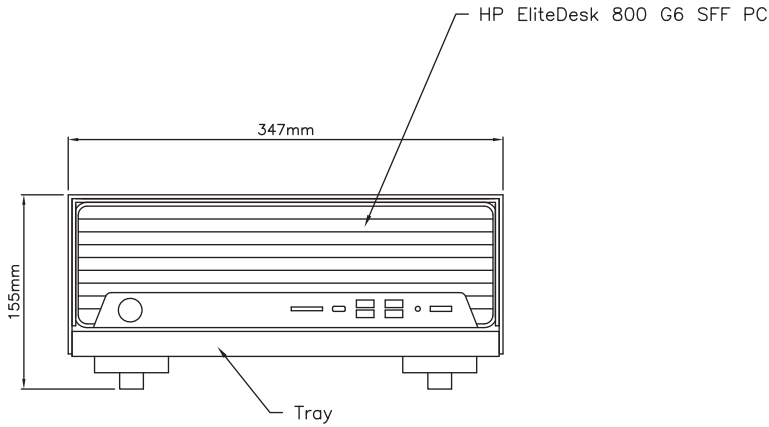
ABS, BV, CCS, ClassNK, DNV, KR, LR, PRS, RINA

Tests included within the test programme are as follows:

- > Vibration, Shock, Static and Dynamic Inclination
- > Dry & Damp Heat, Low Temperature
- > Acoustic Noise, Compass Safe Distance
- > High Voltage, Power Supply Variation & Power Supply Failure
- > Conducted LF & RF, Electromagnetic Field
- > Radiated & Conducted Emissions, Electrostatic Discharge
- > Insulation Resistance, Burst / Fast Transients
- > Surge Immunity, Access to Dangerous Voltages

MS2630

Mariner Kit for use with HP EliteDesk 800 G6 SFF PC (Horizontal mount)



Mariner Systems (UK) Limited

Oaklands Park • Wokingham • Berkshire • RG41 2FD • United Kingdom
Telephone: +44 (0) 118 979 6020 • Facsimile: +44 (0) 118 979 6021
sales@marinersystems.com • www.marinersystems.com

OPERATING GUIDELINES

Although all of our solutions are tested against extreme environmental conditions for the purposes of marine type approval, installation should take into account the following guidelines:

- > Keep the computer away from excessive moisture, direct sunlight and the extremes of heat and cold. Wherever possible, ensure that the unit is operated within the manufacturer's recommended operating range:

	Operating	Non-Operating
Temperature	+10° to +35°C (+50° to +95°F)	-30° to +65°C (-22° to +149°F)
Humidity	10% to 90% (non-condensing)	5% to 95% (non-condensing)

- > Leave a 10.2 cm (4-inch) clearance on all vented sides of the computer to permit the required airflow
- > Never restrict airflow into the computer by blocking any vents or air intakes
- > Occasionally clean the air vents on all vented sides of the computer
- > If the computer is to be operated within a separate enclosure, intake and exhaust ventilation must be provided on the enclosure, and the same operating guidelines listed above will still apply

By following these guidelines you will maximise the life of your computer and minimise service costs.

STATISTICS

Overall Fitted Dimensions	347mm (w) x 155mm (h) x 330mm (d)
Weight (Mariner Kit only)	2.0 kg
Weight (including hardware)	8.2 kg (exact weight depends upon configuration)
Chipset	Intel® Q470
Processor	Intel® 10th Generation Core™ i7, i5 & i3; Intel® Pentium®
Memory	Up to 128 GB DDR4-2666 DIMM
Storage	500 GB to 2 TB 3.5-inch SATA (7,200 rpm); 500 GB to 1 TB 2.5-inch SATA (7,200 rpm); 500 GB 2.5-inch SATA SED Opal 2 (7,200 rpm); 256 GB to 512 GB M.2 2280 PCIe NVMe SSD; 256 GB to 2 TB M.2 2280 PCIe NVMe TLC SSD
Keyboard	HP USB Keyboard
Mouse	HP USB Mouse
Networking (integrated)	Intel® I219LM GbE LOM
Graphics (integrated)	Intel® UHD Graphics
Optical Storage	HP 9.5mm Slim DVD-ROM; HP 9.5mm Slim DVD Writer
Operating System	Windows 10; FreeDOS
Expansion Slot	2 x half-height PCI Express x1 (v3.0) slots; 2 x half-height PCI Express x16 (v3.0) slots (one wired as a x4)
USB Support	2 x USB 2.0 ports – rear; 4 x USB 3.2 Gen 1 ports – 2 front and 2 rear; 4 x USB 3.2 Gen 2 ports – 2 front and 2 rear; 1 x USB Type-C™ 3.1 Gen 2 – front
Rear I/O	2 x DisplayPort™ 1.4; 1 x RJ-45 Network connector; 1 x RS-232 Serial port (optional)
Operating Voltage Range	90 – 264 VAC